



BY APPOINTMENT TO
HER MAJESTY THE QUEEN
BEDDING AND UPHOLSTERY
MANUFACTURERS
HYPNOS LIMITED ENGLAND

HYPNOS®

THE MOST COMFORTABLE BEDS IN THE WORLD



SOFA BEDS

HYPNOS CONTRACT BEDS

INTRODUCING HYPNOS CONTRACT SOFA BEDS

Hypnos Contract Beds work with hospitality clients all over the world, to ensure guests have the ultimate sleep experience, night after night. Our comprehensive portfolio of sleep solutions has been designed to deliver the best guest experience possible, whilst providing our clients with peace of mind and ultimate flexibility.



We have been handcrafting beds for 120 years and are renowned for making the most comfortable beds in the world. Our new Sofa Bed Collection is an integral part of our sleep solutions range, providing clients with the added flexibility of increasing room occupancy.

In the world of hospitality and contract furniture, finding the perfect balance between luxury, durability, comfort, and sustainability is no small feat. Available in a range of styles and fabrics to suite any style of hotel and room configuration, our new Sofa Bed Collection is designed to deliver a sustainable sleep solution whilst also ensuring guests experience a relaxing night's sleep, and housekeeping can add additional beds with ease.

We believe a good night's sleep should never be compromised, so have merged the art of crafting exquisite sleep solutions with the versatility sofa beds. At Hypnos Contract Beds we create comfort with integrity.

PERFECT
COMBINATION
OF COMFORT,
SUSTAINABILITY
AND DESIGN



The Hypnos Sofa Bed Collection transforms the concept of functionality by introducing genuine bed comfort in the guise of a sofa bed. Our modern and sophisticated designs are crafted to complement any style of guestroom decor, delivering both comfort and style sustainably.

Comfort

Our sustainable premium materials provide comfort as a seat and luxury as a bed in one easy to use stylish sofa. The specially selected super soft durable fabrics, and comfort layers create a perfect ambient temperature for sleep.

Design

Handmade in the UK, our smart product design prioritises guest wellbeing, whilst saving housekeeping valuable time through ease of use.

Sustainability

Our mattresses are 100% foam free and free from harmful chemical emissions and are 100% recyclable. The primary comfort layers are made from e-Fibre™, a polyester created from a minimum of 65% recycled plastic bottles and is fully recyclable at end of life.

We ensure that all wood is FSC certified, so is harvested from 100% approved traceable, sustainable, and ethical sources.

The GreenFR® flame retardant coating is a result of years of extensive research. Endorsed by OEKO-TEX®, it has been developed to deliver a safe and effective contract FR rating.



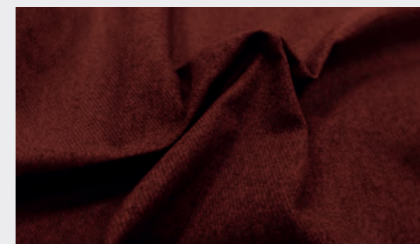
BRUSHED TWILL FABRICS

Our collection of contract specification flat woven twill fabrics provide a natural wool look and soft handle. Available in a choice of seven nature inspired colours ranging from soft neutrals to rich warm hues.

Fabrics are made from 100% polyester, treated with GreenFR®, and are fully recyclable.



AMBER



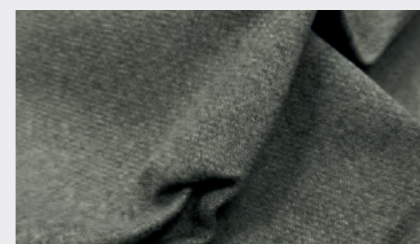
HUNTER



ADMIRAL



PEWTER



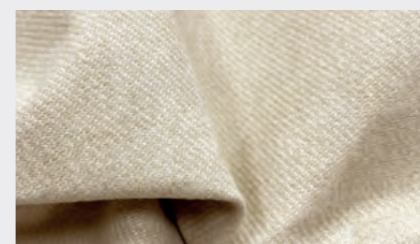
SKY



SMOKE



LINEN



THE COLLECTION

Our sofa bed collection is handmade in the UK to the highest quality standards. The sustainable premium materials provide comfort as a seat and luxury as a bed in one easy to use stylish sofa.

The five distinctive designs are available in a range of sizes, providing ultimate comfort, flexibility and style choice.



WOBURN

Instantly recognisable iconic style.

PAGE 28



HARDWICK

Modern luxury, sustainable sophistication.

PAGE 10



JAZZ

Distinctive design, a statement in sophistication.

PAGE 36



KINGSTON

A slender silhouette of stylish design.

PAGE 20



CUBE

Contemporary design meets sustainability & comfort.

PAGE 44



HARDWICK



The **Hardwick Sofa Bed** is available in four configurations

SNUGGLER



TWO SEATER



THREE SEATER



LINKED FOUR SEATER

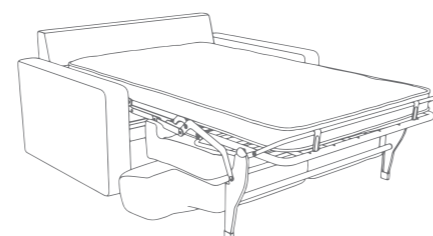


Modern luxury, sustainable sophistication.

A sophisticated modern design which will sit well in any guestroom; the Hardwick sofa bed embodies versatility, blending a fusion of style and function with a range of thoughtfully selected fabric options.

Transition from a refined sofa to a full-sized bed in a matter of moments, all while keeping the seat and back cushions in place. Handmade using FSC-certified wood and upholstered in GreenFR® fabrics, it offers a harmonious blend of style, ultimate comfort, and an eco-conscious ethos.

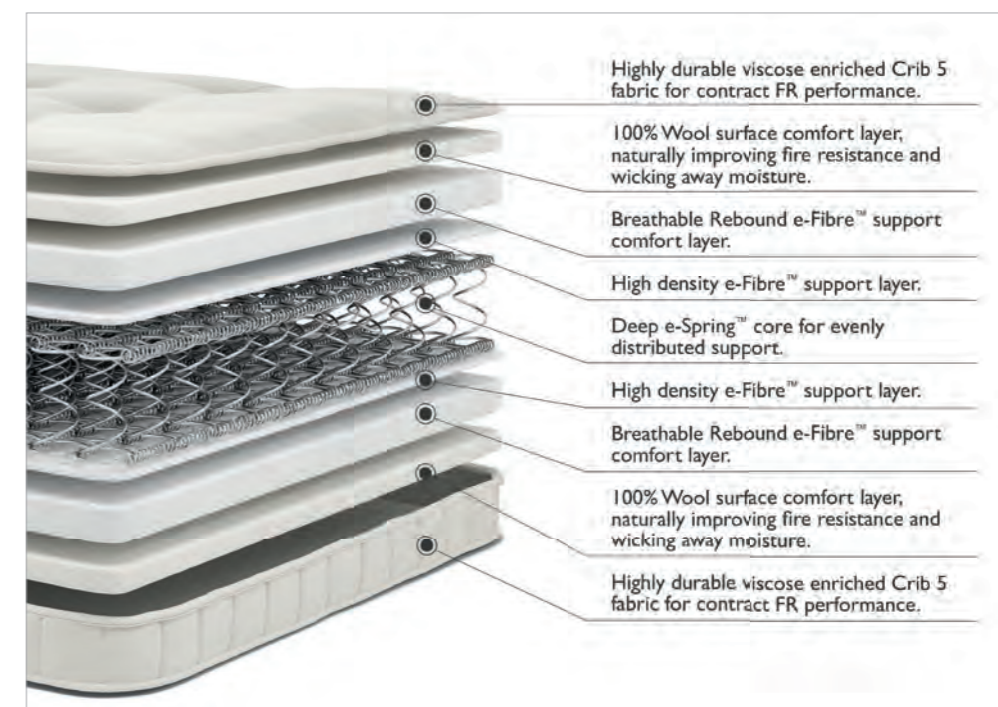
Unique roll-out mechanism no need to remove seat or back cushions.



Deep Sprung Core Mattress



Sprung Base



Highly durable viscose enriched Crib 5 fabric for contract FR performance.

100% Wool surface comfort layer, naturally improving fire resistance and wicking away moisture.

Breathable Rebound e-Fibre™ support comfort layer.

High density e-Fibre™ support layer.

Deep e-Spring™ core for evenly distributed support.

High density e-Fibre™ support layer.

Breathable Rebound e-Fibre™ support comfort layer.

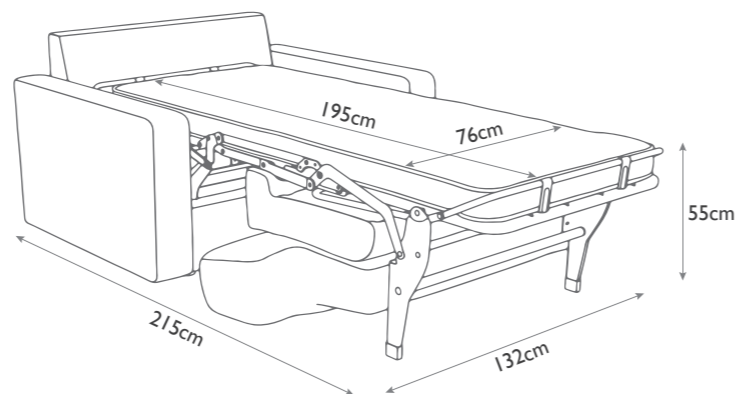
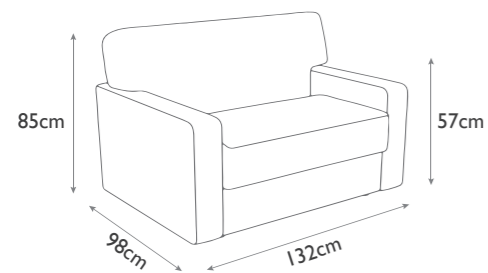
100% Wool surface comfort layer, naturally improving fire resistance and wicking away moisture.

Highly durable viscose enriched Crib 5 fabric for contract FR performance.

HARDWICK SNUGLER

The timeless linear design of our Harwick snuggler sofa bed embodies versatility, blending style and function with a range of thoughtfully selected fabric options.

Our unique roll-out mechanism means there is no need to remove seat or back cushions, making the transition simple for housekeeping.



GreenFR® Protection on upholstery fabrics - flammability resistance without the nasty chemicals.

Fibre wrapped seat fillings for extra cosiness.

Soft fibre filled back cushions.

Sprung platform bed base system for evenly distributed support.

100% foam free deep e-Sprung™ mattress for evenly distributed support and real bed comfort.

Highly durable viscose enriched Crib 5 mattress fabric for contract FR performance. Featuring Eco-Award Winning Advance e-Fibre™.

Sustainable e-Fibre™ comfort layers help to create a temperature controlled sleeping environment.

Wool performance layer, increasing natural fire resistance and actively wicking away moisture.

Featuring sustainably sourced, recyclable materials helping to reduce landfill waste.

Five year manufacturing guarantee on the timber frame and two year manufacturing guarantee on the folding mechanism, mattress, all cushions and other upholstered parts.

Sofa Specification

Seat depth	60cm
Seat height	47cm
Width between arms	100cm
Sofa bed weight	94kg

Mattress Specification

Type	Deep Sprung Core
Size	H13 x W76 x L195cm

Packed Size & Weights

Packed size	Pack 1: L99 x W33 x H57cm
	Pack 2: L131 x W71 x H40cm
	Pack 3: L103 x W91 x H55cm
Packed weight	103kg

*Metric sizes are not exact equivalents. There can be a tolerance of +/- 2cm with all quoted measurements.

Certifications

Tested and certified by UKAS accredited testing houses.

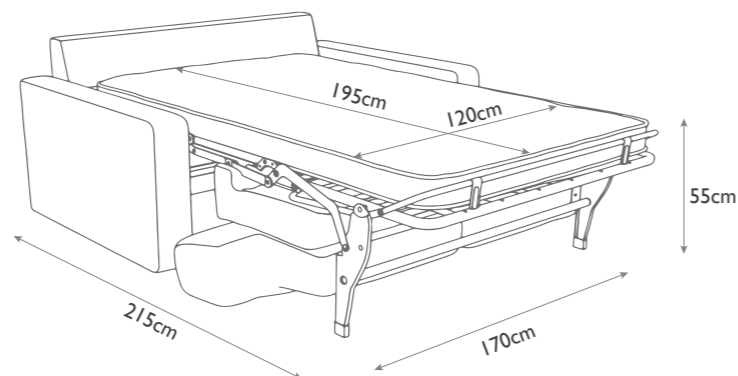
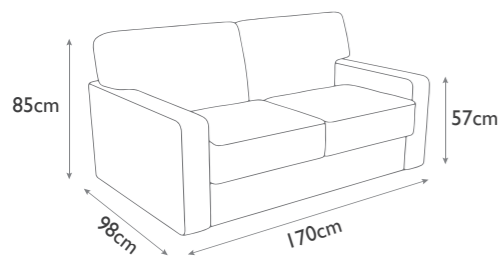
Sofa:
BS 7176 – Medium Hazard, Source 5

Mattress:
BS7177 - Medium Hazard, Source 5

HARDWICK TWO SEATER

The timeless linear design of our Hardwick two seater sofa bed embodies versatility, blending style and function with a range of thoughtfully selected fabric options.

Our unique roll-out mechanism means there is no need to remove seat or back cushions, making the transition simple for housekeeping.



GreenFR® Protection on upholstery fabrics - flammability resistance without the nasty chemicals.

Fibre wrapped seat fillings for extra cosiness.

Soft fibre filled back cushions.

Sprung platform bed base system for evenly distributed support.

100% foam free deep e-Sprung™ mattress for evenly distributed support and real bed comfort.

Highly durable viscose enriched Crib 5 mattress fabric for contract FR performance. Featuring Eco-Award Winning Advance e-Fibre™.

Sustainable e-Fibre™ comfort layers help to create a temperature controlled sleeping environment.

Wool performance layer, increasing natural fire resistance and actively wicking away moisture.

Featuring sustainably sourced, recyclable materials helping to reduce landfill waste.

Five year manufacturing guarantee on the timber frame and two year manufacturing guarantee on the folding mechanism, mattress, all cushions and other upholstered parts.

Sofa Specification

Seat depth	60cm
Seat height	47cm
Width between arms	138cm
Sofa bed weight	109kg

Mattress Specification

Type	Deep Sprung Core
Size	H13 x W120 x L195cm

Packed Size & Weights

Packed size	Pack 1: L99 x W33 x H57cm
	Pack 2: L171 x W71 x H40cm
	Pack 3: L144 x W91 x H55cm
Packed weight	122kg

*Metric sizes are not exact equivalents. There can be a tolerance of +/- 2cm with all quoted measurements.

Certifications

Tested and certified by UKAS accredited testing houses.

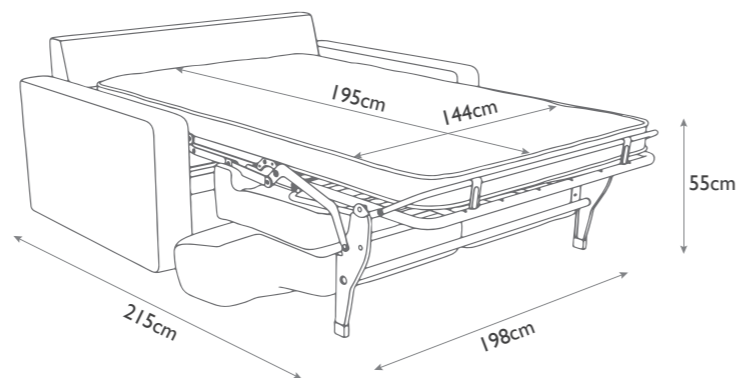
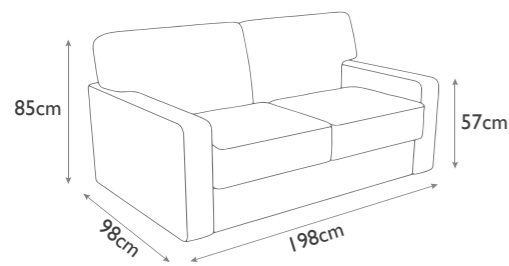
Sofa:
BS 7176 – Medium Hazard, Source 5

Mattress:
BS7177 - Medium Hazard, Source 5

HARDWICK THREE SEATER

The timeless linear design of our Hardwick three seater sofa bed embodies versatility, blending style and function with a range of thoughtfully selected fabric options.

Our unique roll-out mechanism means there is no need to remove seat or back cushions, making the transition simple for housekeeping.



GreenFR® Protection on upholstery fabrics - flammability resistance without the nasty chemicals.

Fibre wrapped seat fillings for extra cosiness.

Soft fibre filled back cushions.

Sprung platform bed base system for evenly distributed support.

100% foam free deep e-Sprung™ mattress for evenly distributed support and real bed comfort.

Highly durable viscose enriched Crib 5 mattress fabric for contract FR performance. Featuring Eco-Award Winning Advance e-Fibre™.

Sustainable e-Fibre™ comfort layers help to create a temperature controlled sleeping environment.

Wool performance layer, increasing natural fire resistance and actively wicking away moisture.

Featuring sustainably sourced, recyclable materials helping to reduce landfill waste.

Five year manufacturing guarantee on the timber frame and two year manufacturing guarantee on the folding mechanism, mattress, all cushions and other upholstered parts.

Sofa Specification

Seat depth	60cm
Seat height	47cm
Width between arms	166cm
Sofa bed weight	129kg

Mattress Specification

Type	Deep Sprung Core
Size	H13 x W144 x L195cm

Packed Size & Weights

Packed size	Pack 1: L99 x W33 x H57cm
	Pack 2: L196 x W71 x H40cm
	Pack 3: L170 x W91 x H55cm
Packed weight	146kg

*Metric sizes are not exact equivalents. There can be a tolerance of +/- 2cm with all quoted measurements.

Certifications

Tested and certified by UKAS accredited testing houses.

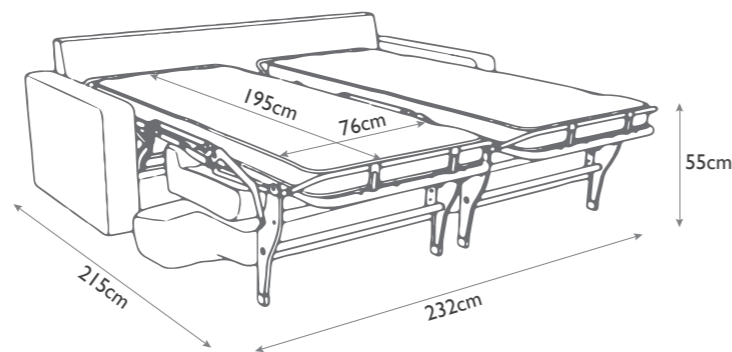
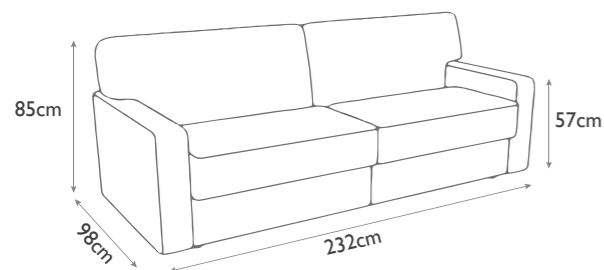
Sofa:
BS 7176 – Medium Hazard, Source 5

Mattress:
BS7177 - Medium Hazard, Source 5

HARDWICK LINKED FOUR SEATER

The timeless linear design of our Hardwick four seater sofa bed embodies versatility, blending style and function with a range of thoughtfully selected fabric options. The unique option of one or two beds, with or without seating provides unrivalled flexibility in room occupancy.

Our unique roll-out mechanism means there is no need to remove seat or back cushions, making the transition simple for housekeeping.



GreenFR® Protection on upholstery fabrics - flammability resistance without the nasty chemicals.

Fibre wrapped seat fillings for extra cosiness.

Soft fibre filled back cushions.

Sprung platform bed base system for evenly distributed support.

100% foam free deep e-Sprung™ mattress for evenly distributed support and real bed comfort.

Highly durable viscose enriched Crib 5 mattress fabric for contract FR performance. Featuring Eco-Award Winning Advance e-Fibre™.

Sustainable e-Fibre™ comfort layers help to create a temperature controlled sleeping environment.

Wool performance layer, increasing natural fire resistance and actively wicking away moisture.

Featuring sustainably sourced, recyclable materials helping to reduce landfill waste.

Five year manufacturing guarantee on the timber frame and two year manufacturing guarantee on the folding mechanism, mattress, all cushions and other upholstered parts.

Sofa Specification

Seat depth	60cm
Seat height	47cm
Width between arms	200cm
Sofa bed weight	180kg

Mattress Specification

Type	Deep Sprung Core
Size	H13 x W76 x L195cm (2pcs)

Packed Size & Weights

Packed size	Pack 1: L99 x W33 x H57cm
	Pack 2: L131 x W71 x H40cm (2pcs)
	Pack 3: L103 x W91 x H55cm (2pcs)
Packed weight	198kg

*Metric sizes are not exact equivalents. There can be a tolerance of +/- 2cm with all quoted measurements.

Certifications

Tested and certified by UKAS accredited testing houses.

Sofa:
BS 7176 – Medium Hazard, Source 5

Mattress:
BS7177 - Medium Hazard, Source 5

KINGSTON

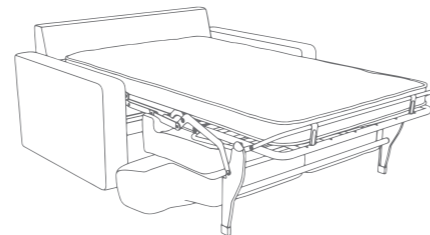


A slender silhouette of stylish design.

The Kingston's clean lines and compact profile make it the perfect choice if you want sleek sophistication without compromising on space.

Concealed within its slim frame lies a premium roll-out bed mechanism, converting this sofa into a full-sized bed in moments, ready to welcome guests. Sustainability remains at the heart of our design, hand made with FSC-certified wood and upholstered in GreenFR® fabrics, ensuring a fusion of deceptively simple design, optimal comfort, and its eco credentials.

Unique roll-out mechanism no need to remove seat or back cushions.



The Kingston Sofa Bed is available in three configurations

SNUGGLER



TWO SEATER



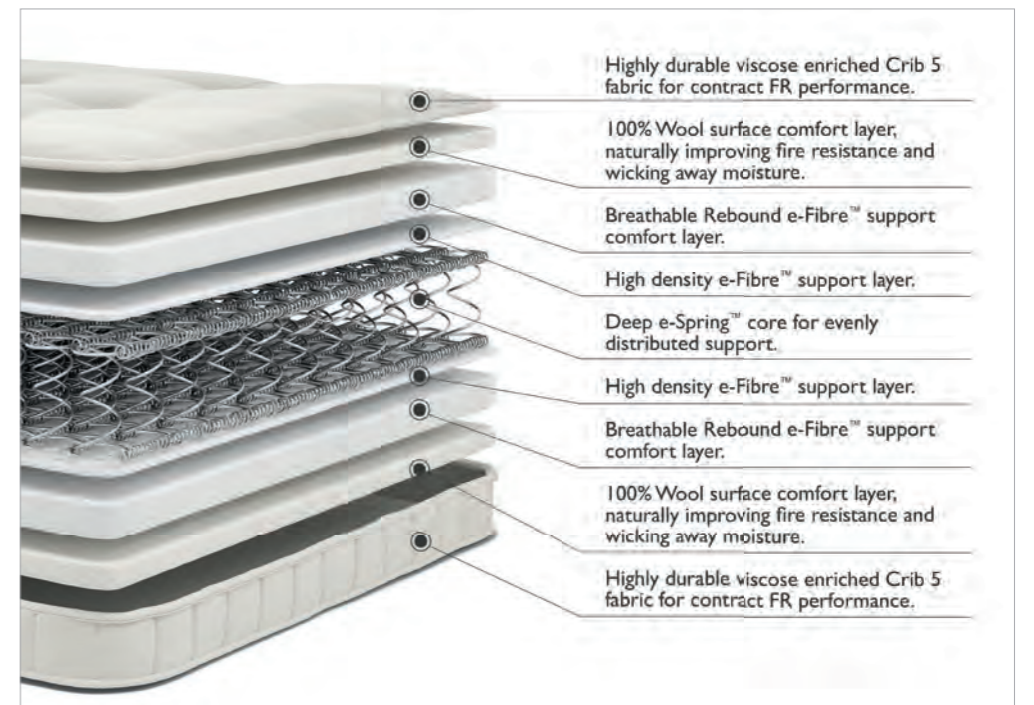
THREE SEATER



Deep Sprung Core Mattress



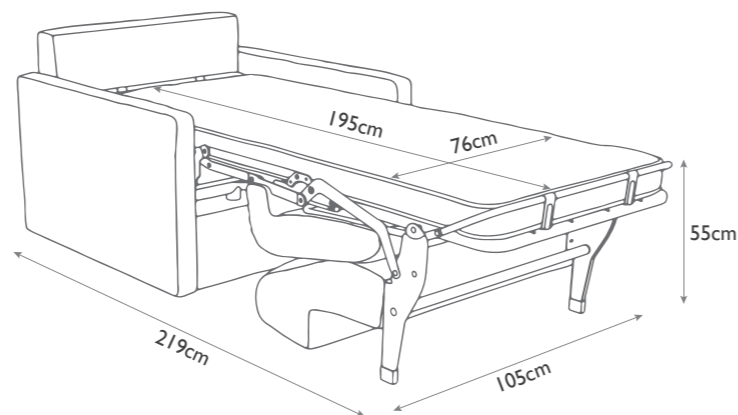
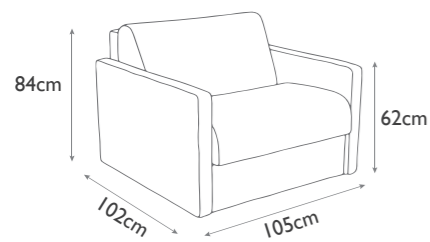
Sprung Base



KINGSTON SNUGLER

Contemporary elegance meets a slender silhouette, in our Kingston snuggler. Its clean lines and compact profile make it the perfect choice for any guestroom.

Our unique roll-out mechanism means there is no need to remove seat or back cushions, making the transition simple for housekeeping.



GreenFR® Protection on upholstery fabrics - flammability resistance without the nasty chemicals.

Fibre wrapped seat fillings for extra cosiness.

Soft fibre filled back cushions.

Sprung platform bed base system for evenly distributed support.

100% foam free deep e-Sprung™ mattress for evenly distributed support and real bed comfort.

Highly durable viscose enriched Crib 5 mattress fabric for contract FR performance. Featuring Eco-Award Winning Advance e-Fibre™.

Sustainable e-Fibre™ comfort layers help to create a temperature controlled sleeping environment.

Wool performance layer, increasing natural fire resistance and actively wicking away moisture.

Featuring sustainably sourced, recyclable materials helping to reduce landfill waste.

Five year manufacturing guarantee on the timber frame and two year manufacturing guarantee on the folding mechanism, mattress, all cushions and other upholstered parts.

Sofa Specification

Seat depth	58cm
Seat height	48cm
Width between arms	88cm
Sofa bed weight	84kg

Mattress Specification

Type	Deep Sprung Core
Size	H13 x W76 x L195cm

Packed Size & Weights

Packed size	Pack 1: L102 x W190 x H62cm
	Pack 2: L90 x W77 x H49cm
	Pack 3: L103 x W91 x H55cm
Packed weight	93kg

*Metric sizes are not exact equivalents. There can be a tolerance of +/- 2cm with all quoted measurements.

Certifications

Tested and certified by UKAS accredited testing houses.

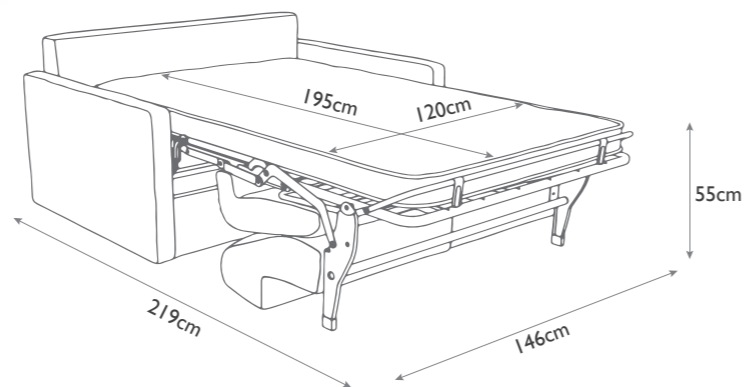
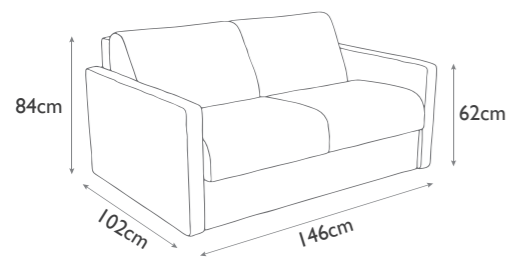
Sofa:
BS 7176 – Medium Hazard, Source 5

Mattress:
BS7177 - Medium Hazard, Source 5

KINGSTON TWO SEATER

Contemporary elegance meets a slender silhouette, in our Kingston two seater. Its clean lines and compact profile make it the perfect choice for any guestroom.

Our unique roll-out mechanism means there is no need to remove seat or back cushions, making the transition simple for housekeeping.



GreenFR® Protection on upholstery fabrics - flammability resistance without the nasty chemicals.

Fibre wrapped seat fillings for extra cosiness.

Soft fibre filled back cushions.

Sprung platform bed base system for evenly distributed support.

100% foam free deep e-Sprung™ mattress for evenly distributed support and real bed comfort.

Highly durable viscose enriched Crib 5 mattress fabric for contract FR performance. Featuring Eco-Award Winning Advance e-Fibre™.

Sustainable e-Fibre™ comfort layers help to create a temperature controlled sleeping environment.

Wool performance layer, increasing natural fire resistance and actively wicking away moisture.

Featuring sustainably sourced, recyclable materials helping to reduce landfill waste.

Five year manufacturing guarantee on the timber frame and two year manufacturing guarantee on the folding mechanism, mattress, all cushions and other upholstered parts.

Sofa Specification

Seat depth	58cm
Seat height	48cm
Width between arms	130cm
Sofa bed weight	100kg

Mattress Specification

Type	Deep Sprung Core
Size	H13 x W120 x L195cm

Packed Size & Weights

Packed size	Pack 1: L102 x W190 x H62cm
	Pack 2: L131 x W77 x H49cm
	Pack 3: L144 x W91 x H55cm
Packed weight	113kg

*Metric sizes are not exact equivalents. There can be a tolerance of +/- 2cm with all quoted measurements.

Certifications

Tested and certified by UKAS accredited testing houses.

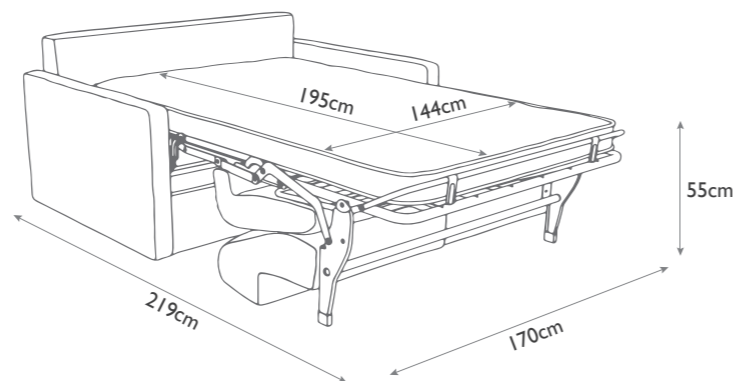
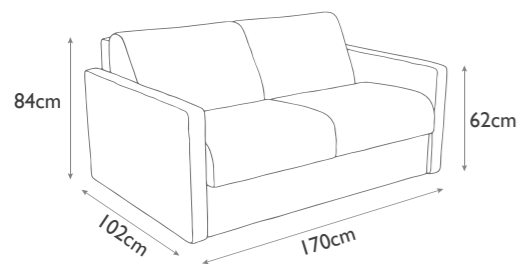
Sofa:
BS 7176 – Medium Hazard, Source 5

Mattress:
BS7177 - Medium Hazard, Source 5

KINGSTON THREE SEATER

Contemporary elegance meets a slender silhouette, in our Kingston three seater. Its clean lines and compact profile make it the perfect choice for any guestroom.

Our unique roll-out mechanism means there is no need to remove seat or back cushions, making the transition simple for housekeeping.



GreenFR® Protection on upholstery fabrics - flammability resistance without the nasty chemicals.

Fibre wrapped seat fillings for extra cosiness.

Soft fibre filled back cushions.

Sprung platform bed base system for evenly distributed support.

100% foam free deep e-Sprung™ mattress for evenly distributed support and real bed comfort.

Highly durable viscose enriched Crib 5 mattress fabric for contract FR performance. Featuring Eco-Award Winning Advance e-Fibre™.

Sustainable e-Fibre™ comfort layers help to create a temperature controlled sleeping environment.

Wool performance layer, increasing natural fire resistance and actively wicking away moisture.

Featuring sustainably sourced, recyclable materials helping to reduce landfill waste.

Five year manufacturing guarantee on the timber frame and two year manufacturing guarantee on the folding mechanism, mattress, all cushions and other upholstered parts.

Sofa Specification

Seat depth	58cm
Seat height	48cm
Width between arms	159cm
Sofa bed weight	120kg

Mattress Specification

Type	Deep Sprung Core
Size	H13 x W144 x L195cm

Packed Size & Weights

Packed size	Pack 1: L102 x W190 x H62cm
	Pack 2: L157 x W77 x H49cm
	Pack 3: L170 x W91 x H55cm
Packed weight	137kg

*Metric sizes are not exact equivalents. There can be a tolerance of +/- 2cm with all quoted measurements.

Certifications

Tested and certified by UKAS accredited testing houses.

Sofa:
BS 7176 – Medium Hazard, Source 5

Mattress:
BS7177 - Medium Hazard, Source 5

WOBURN



Instantly recognisable iconic style.

The instantly recognisable classic style of our Woburn sofa exudes opulence and elegance. Hidden within its bold frame lies our premium roll-out bed action boasting a deep sprung mattress for a luxurious sleeping experience.

Explore the versatility of this design with a range of GreenFR® fabric options. Hand made exclusively with FSC-certified wood, the Woburn embodies a harmonious blend of style, all-night comfort, and eco-conscious design.

The Woburn Sofa Bed is available in three configurations

SNUGGLER



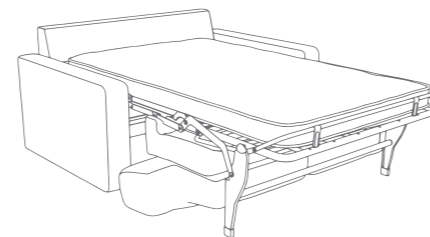
TWO SEATER



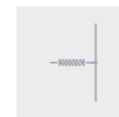
THREE SEATER



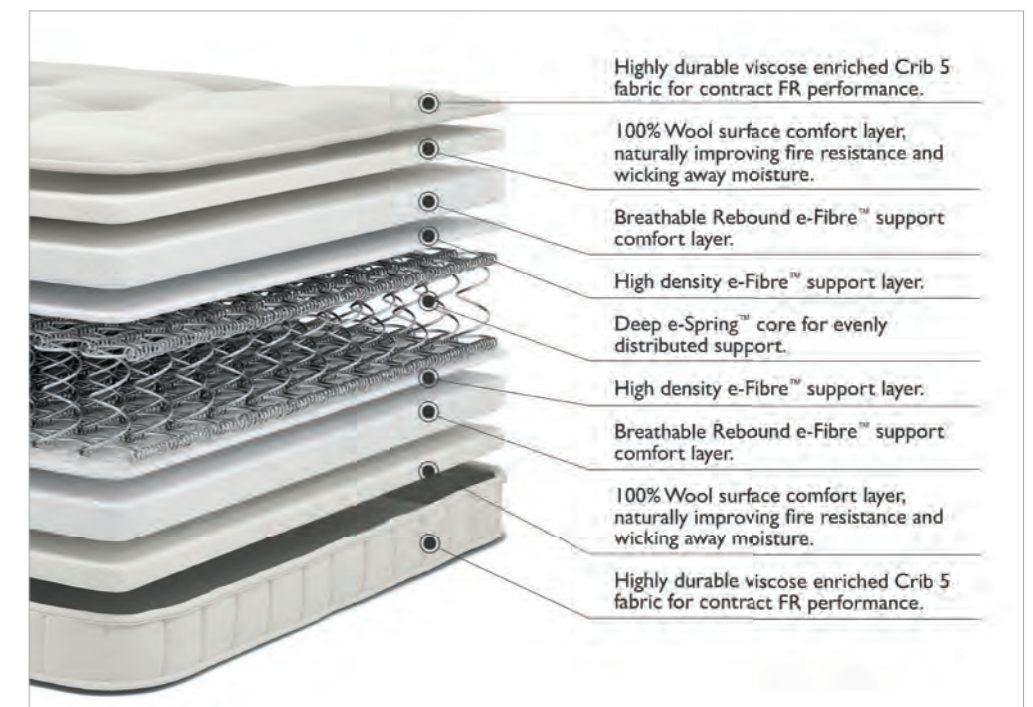
Unique roll-out mechanism no need to remove seat or back cushions.



Deep Sprung Core Mattress



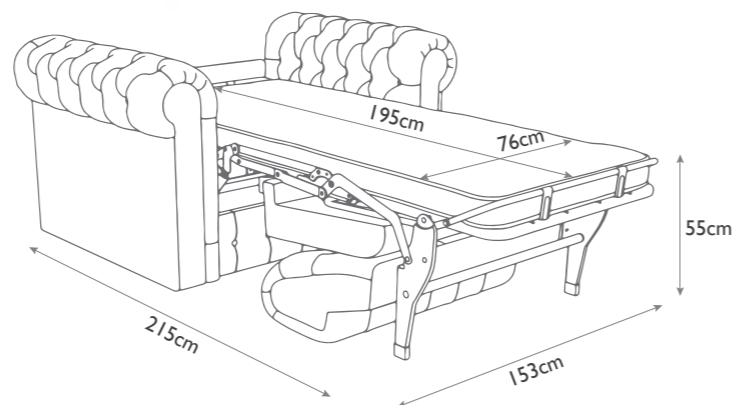
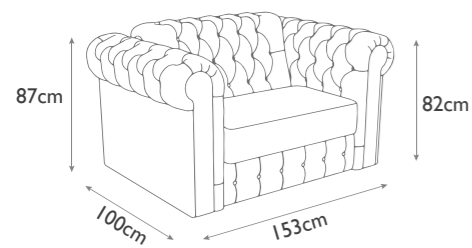
Sprung Base



WOBURN SNUGLER

The instantly recognisable style of our Woburn snuggler is the epitome of luxury and elegance.

Our unique roll-out mechanism means there is no need to remove seat or back cushions, making the transition simple for housekeeping.



GreenFR® Protection on upholstery fabrics - flammability resistance without the nasty chemicals.

Fibre wrapped seat fillings for extra cosiness.

Soft fibre filled back cushions.

Sprung platform bed base system for evenly distributed support.

100% foam free deep e-Sprung™ mattress for evenly distributed support and real bed comfort.

Highly durable viscose enriched Crib 5 mattress fabric for contract FR performance. Featuring Eco-Award Winning Advance e-Fibre™.

Sustainable e-Fibre™ comfort layers help to create a temperature controlled sleeping environment.

Wool performance layer, increasing natural fire resistance and actively wicking away moisture.

Featuring sustainably sourced, recyclable materials helping to reduce landfill waste.

Five year manufacturing guarantee on the timber frame and two year manufacturing guarantee on the folding mechanism, mattress, all cushions and other upholstered parts.

Sofa Specification

Seat depth	62cm
Seat height	47cm
Width between arms	94cm
Sofa bed weight	99kg

Mattress Specification

Type	Deep Sprung Core
Size	H13 x W76 x L195cm

Packed Size & Weights

Packed size	Pack 1: L100 x W52 x H84cm
	Pack 2: L106 x W65 x H49cm
	Pack 3: L103 x W91 x H55cm
Packed weight	108kg

*Metric sizes are not exact equivalents. There can be a tolerance of +/- 2cm with all quoted measurements.

Certifications

Tested and certified by UKAS accredited testing houses.

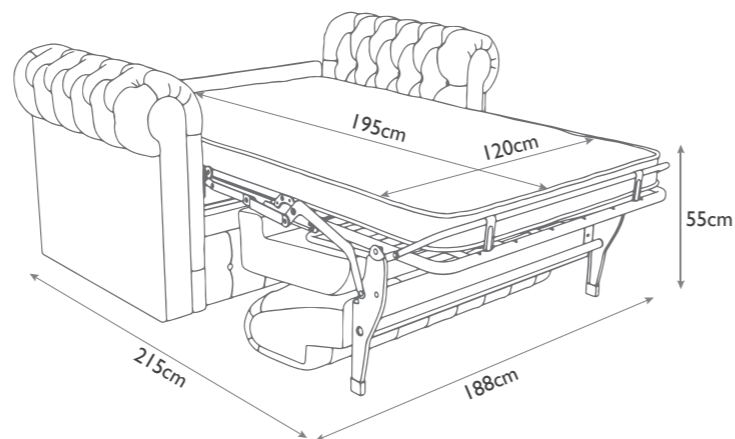
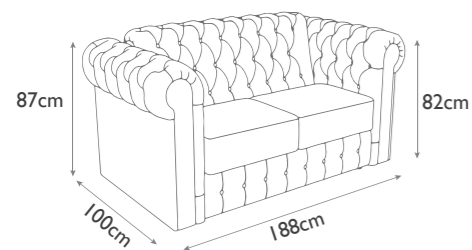
Sofa:
BS 7176 – Medium Hazard, Source 5

Mattress:
BS7177 - Medium Hazard, Source 5

WOBURN TWO SEATER

The instantly recognisable style of our Woburn two seater is the epitome of luxury and elegance.

Our unique roll-out mechanism means there is no need to remove seat or back cushions, making the transition simple for housekeeping.



GreenFR® Protection on upholstery fabrics - flammability resistance without the nasty chemicals.

Fibre wrapped seat fillings for extra cosiness.

Soft fibre filled back cushions.

Sprung platform bed base system for evenly distributed support.

100% foam free deep e-Sprung™ mattress for evenly distributed support and real bed comfort.

Highly durable viscose enriched Crib 5 mattress fabric for contract FR performance. Featuring Eco-Award Winning Advance e-Fibre™.

Sustainable e-Fibre™ comfort layers help to create a temperature controlled sleeping environment.

Wool performance layer, increasing natural fire resistance and actively wicking away moisture.

Featuring sustainably sourced, recyclable materials helping to reduce landfill waste.

Five year manufacturing guarantee on the timber frame and two year manufacturing guarantee on the folding mechanism, mattress, all cushions and other upholstered parts.

Sofa Specification

Seat depth	62cm
Seat height	47cm
Width between arms	128cm
Sofa bed weight	115kg

Mattress Specification

Type	Deep Sprung Core
Size	H13 x W120 x L195cm

Packed Size & Weights

Packed size	Pack 1: L100 x W52 x H84cm
	Pack 2: L147 x W65 x H49cm
	Pack 3: L144 x W91 x H55cm
Packed weight	128kg

*Metric sizes are not exact equivalents. There can be a tolerance of +/- 2cm with all quoted measurements.

Certifications

Tested and certified by UKAS accredited testing houses.

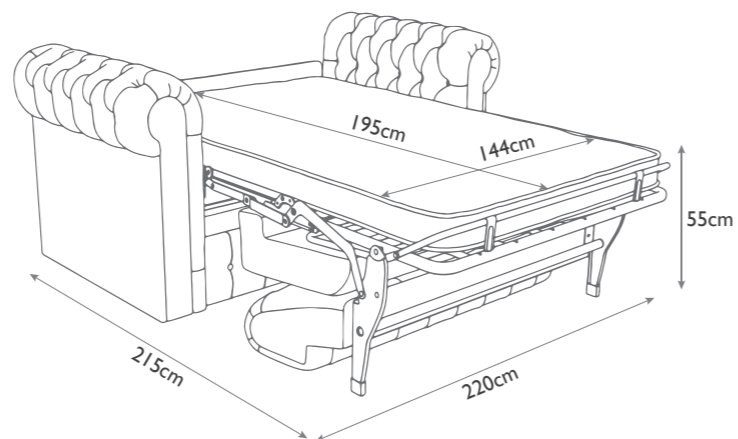
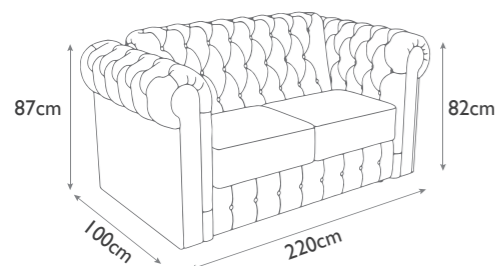
Sofa:
BS 7176 – Medium Hazard, Source 5

Mattress:
BS7177 - Medium Hazard, Source 5

WOBURN THREE SEATER

The instantly recognisable style of our Woburn three seater is the epitome of luxury and elegance.

Our unique roll-out mechanism means there is no need to remove seat or back cushions, making the transition simple for housekeeping.



GreenFR® Protection on upholstery fabrics - flammability resistance without the nasty chemicals.

Fibre wrapped seat fillings for extra cosiness.

Soft fibre filled back cushions.

Sprung platform bed base system for evenly distributed support.

100% foam free deep e-Sprung™ mattress for evenly distributed support and real bed comfort.

Highly durable viscose enriched Crib 5 mattress fabric for contract FR performance. Featuring Eco-Award Winning Advance e-Fibre™.

Sustainable e-Fibre™ comfort layers help to create a temperature controlled sleeping environment.

Wool performance layer, increasing natural fire resistance and actively wicking away moisture.

Featuring sustainably sourced, recyclable materials helping to reduce landfill waste.

Five year manufacturing guarantee on the timber frame and two year manufacturing guarantee on the folding mechanism, mattress, all cushions and other upholstered parts.

Sofa Specification

Seat depth	62cm
Seat height	47cm
Width between arms	160cm
Sofa bed weight	135kg

Mattress Specification

Type	Deep Sprung Core
Size	H13 x W144 x L195cm

Packed Size & Weights

Packed size	Pack 1: L100 x W52 x H84cm
	Pack 2: L173 x W65 x H49cm
	Pack 3: L170 x W91 x H55cm
Packed weight	152kg

*Metric sizes are not exact equivalents. There can be a tolerance of +/- 2cm with all quoted measurements.

Certifications

Tested and certified by UKAS accredited testing houses.

Sofa:
BS 7176 – Medium Hazard, Source 5

Mattress:
BS7177 - Medium Hazard, Source 5

JAZZ



The Jazz Sofa Bed is available in three configurations

SNUGGLER



TWO SEATER



THREE SEATER

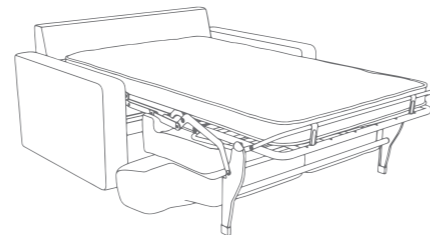


A sophisticated statement.

One of our most eye-catching designs conceals within its frame, a premium rollout bed action with a deep sprung mattress, seamlessly blending style and comfort.

Available in a range of GreenFR® fabric options, you can personalise the Deco to seamlessly complement your living space and within a matter of seconds you can convert it into a full-size bed without the need to remove the seat or back cushions. Made using only FSCcertified wood, blending style, every-night comfort, and eco-conscious design.

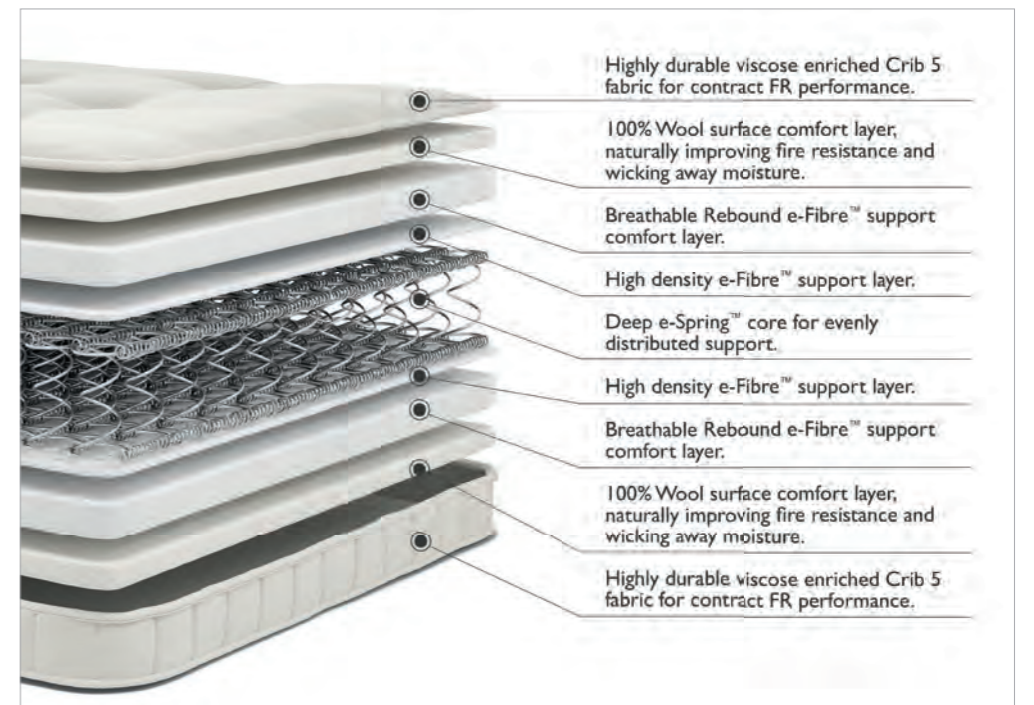
Unique roll-out mechanism no need to remove seat or back cushions.



Deep Sprung Core Mattress



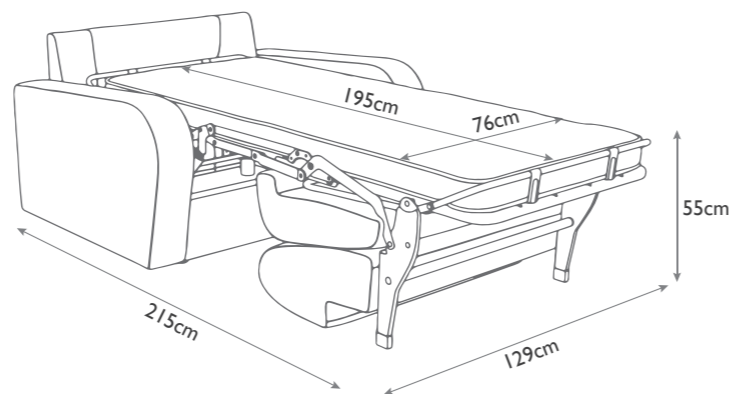
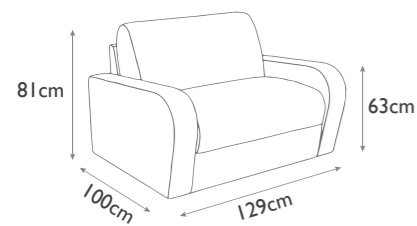
Sprung Base



JAZZ SNUGLER

Crafted as a sophisticated statement, our Jazz snuggler conceals a premium rollout bed with a deep sprung mattress, seamlessly blending style and comfort.

Our unique roll-out mechanism means there is no need to remove seat or back cushions, making the transition simple for housekeeping.



GreenFR® Protection on upholstery fabrics - flammability resistance without the nasty chemicals.

Fibre wrapped seat fillings for extra cosiness.

Soft fibre filled back cushions.

Sprung platform bed base system for evenly distributed support.

100% foam free deep e-Sprung™ mattress for evenly distributed support and real bed comfort.

Highly durable viscose enriched Crib 5 mattress fabric for contract FR performance. Featuring Eco-Award Winning Advance e-Fibre™.

Sustainable e-Fibre™ comfort layers help to create a temperature controlled sleeping environment.

Wool performance layer, increasing natural fire resistance and actively wicking away moisture.

Featuring sustainably sourced, recyclable materials helping to reduce landfill waste.

Five year manufacturing guarantee on the timber frame and two year manufacturing guarantee on the folding mechanism, mattress, all cushions and other upholstered parts.

Sofa Specification

Seat depth	58cm
Seat height	49cm
Width between arms	99cm
Sofa bed weight	104kg

Mattress Specification

Type	Deep Sprung Core
Size	H13 x W76 x L195cm

Packed Size & Weights

Packed size	Pack 1: L104 x W60 x H34cm
	Pack 2: L109 x W70 x H43cm
	Pack 3: L103 x W91 x H55cm
Packed weight	113kg

*Metric sizes are not exact equivalents. There can be a tolerance of +/- 2cm with all quoted measurements.

Certifications

Tested and certified by UKAS accredited testing houses.

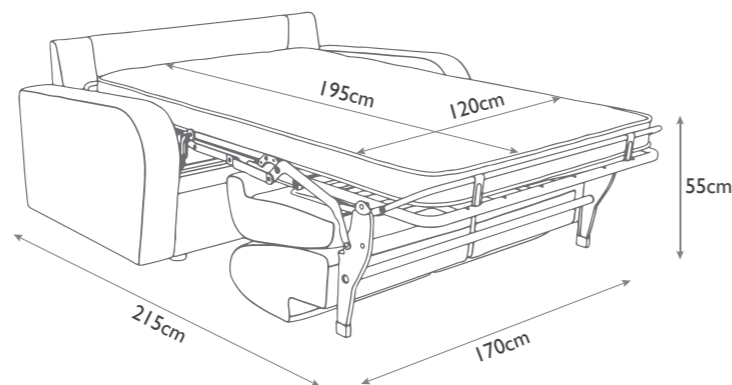
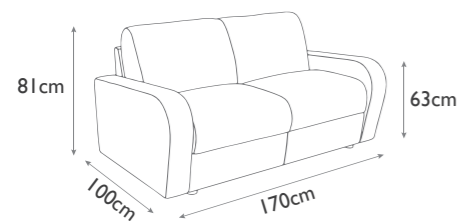
Sofa:
BS 7176 – Medium Hazard, Source 5

Mattress:
BS7177 - Medium Hazard, Source 5

JAZZ TWO SEATER

Crafted as a sophisticated statement, our Jazz two seater conceals a premium rollout bed with a deep sprung mattress, seamlessly blending style and comfort.

Our unique roll-out mechanism means there is no need to remove seat or back cushions, making the transition simple for housekeeping.



GreenFR® Protection on upholstery fabrics - flammability resistance without the nasty chemicals.

Fibre wrapped seat fillings for extra cosiness.

Soft fibre filled back cushions.

Sprung platform bed base system for evenly distributed support.

100% foam free deep e-Sprung™ mattress for evenly distributed support and real bed comfort.

Highly durable viscose enriched Crib 5 mattress fabric for contract FR performance. Featuring Eco-Award Winning Advance e-Fibre™.

Sustainable e-Fibre™ comfort layers help to create a temperature controlled sleeping environment.

Wool performance layer, increasing natural fire resistance and actively wicking away moisture.

Featuring sustainably sourced, recyclable materials helping to reduce landfill waste.

Five year manufacturing guarantee on the timber frame and two year manufacturing guarantee on the folding mechanism, mattress, all cushions and other upholstered parts.

Sofa Specification

Seat depth	58cm
Seat height	49cm
Width between arms	140cm
Sofa bed weight	123kg

Mattress Specification

Type	Deep Sprung Core
Size	H13 x W120 x L195cm

Packed Size & Weights

Packed size	Pack 1: L104 x W60 x H34cm
	Pack 2: L150 x W70 x H43cm
	Pack 3: L144 x W91 x H55cm
Packed weight	136kg

*Metric sizes are not exact equivalents. There can be a tolerance of +/- 2cm with all quoted measurements.

Certifications

Tested and certified by UKAS accredited testing houses.

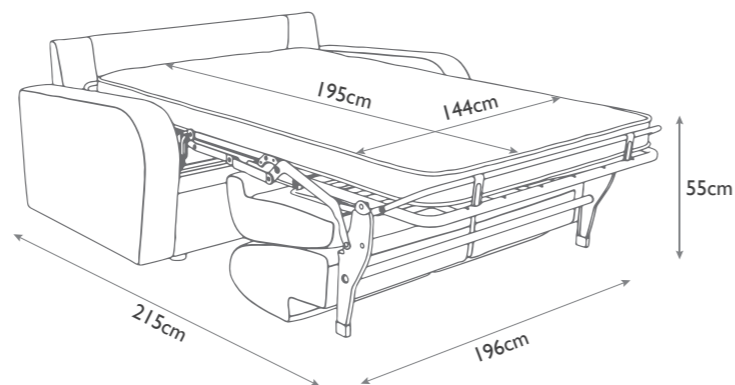
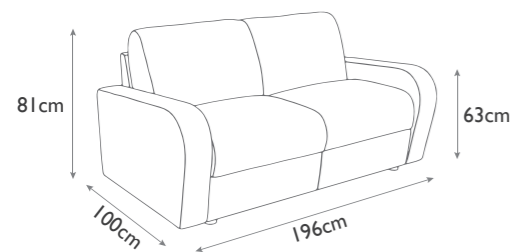
Sofa:
BS 7176 – Medium Hazard, Source 5

Mattress:
BS7177 - Medium Hazard, Source 5

JAZZ THREE SEATER

Crafted as a sophisticated statement, our Jazz three seater conceals a premium rollout bed with a deep sprung mattress, seamlessly blending style and comfort.

Our unique roll-out mechanism means there is no need to remove seat or back cushions, making the transition simple for housekeeping.



GreenFR® Protection on upholstery fabrics - flammability resistance without the nasty chemicals.

Fibre wrapped seat fillings for extra cosiness.

Soft fibre filled back cushions.

Sprung platform bed base system for evenly distributed support.

100% foam free deep e-Sprung™ mattress for evenly distributed support and real bed comfort.

Highly durable viscose enriched Crib 5 mattress fabric for contract FR performance. Featuring Eco-Award Winning Advance e-Fibre™.

Sustainable e-Fibre™ comfort layers help to create a temperature controlled sleeping environment.

Wool performance layer, increasing natural fire resistance and actively wicking away moisture.

Featuring sustainably sourced, recyclable materials helping to reduce landfill waste.

Five year manufacturing guarantee on the timber frame and two year manufacturing guarantee on the folding mechanism, mattress, all cushions and other upholstered parts.

Sofa Specification

Seat depth	58cm
Seat height	49cm
Width between arms	165cm
Sofa bed weight	149kg

Mattress Specification

Type	Deep Sprung Core
Size	H13 x W144 x L195cm

Packed Size & Weights

Packed size	Pack 1: L104 x W60 x H34cm
	Pack 2: L175 x W70 x H43cm
	Pack 3: L170 x W91 x H55cm
Packed weight	166kg

*Metric sizes are not exact equivalents. There can be a tolerance of +/- 2cm with all quoted measurements.

Certifications

Tested and certified by UKAS accredited testing houses.

Sofa:
BS 7176 – Medium Hazard, Source 5

Mattress:
BS7177 - Medium Hazard, Source 5

CUBE



Contemporary design meets sustainability & comfort.

Designed to sit comfortably in any interior space, this sofa is stylish, yet turns into a comfortable bed when needed.

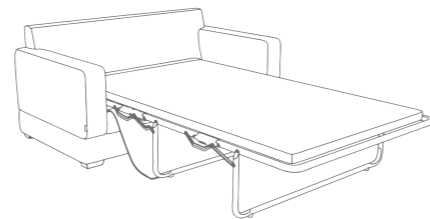
We only use FSC-certified wood to make our frames, and the mattress is more than just comfortable with its e-Pocket™ core, it is also 100% recyclable, providing a perfect blend of style, all-night comfort, and eco-conscious design.

The Cube Sofa Bed is available in a two seater configuration

TWO SEATER



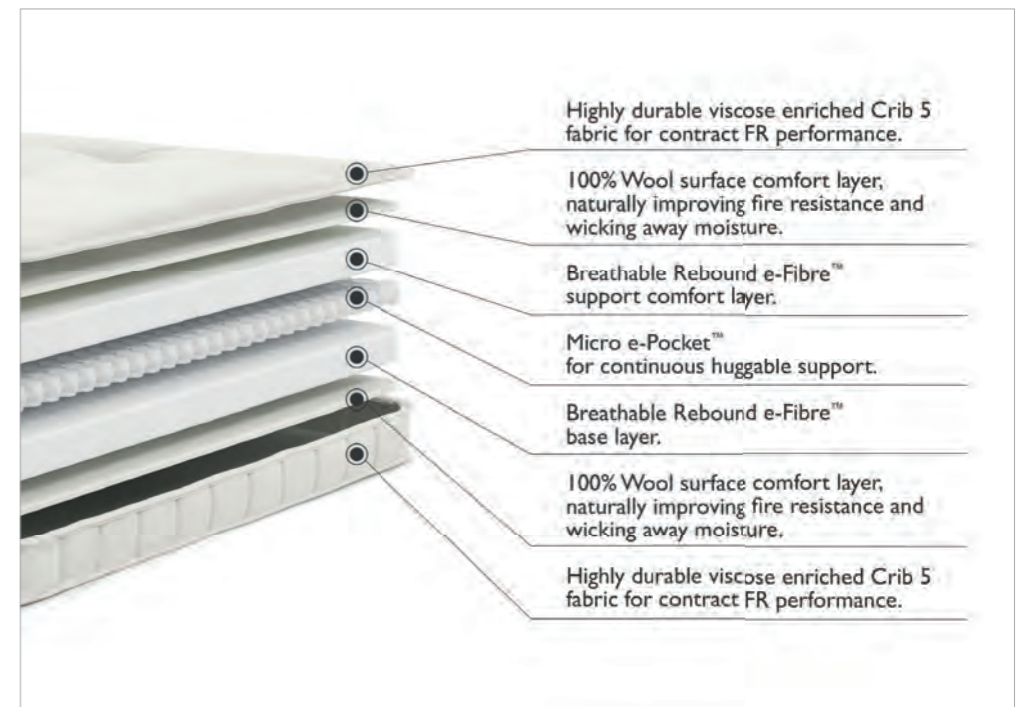
Traditional fold-out mechanism.



Micro e-Pocket™
Mattress

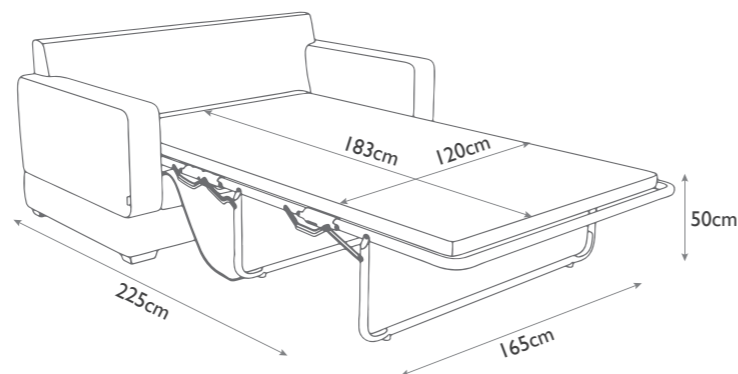
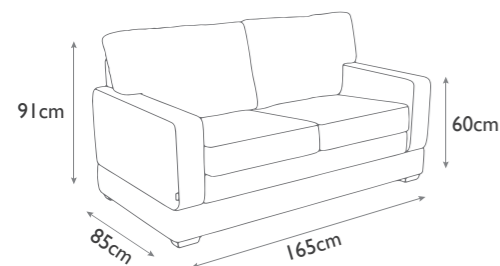


Sprung Base



CUBE TWO SEATER

The contemporary style of our Cube two seater provides a versatile way to increase room occupancy.



GreenFR® Protection on upholstery fabrics - flammability resistance without the nasty chemicals.

Fibre wrapped seat fillings for extra cosiness.

Soft fibre filled back cushions.

Sprung platform bed base system for evenly distributed support.

Micro e-Pocket™ mattress for continuous huggable support.

100% foam free mattress, featuring Eco-Award Winning Advance e-Fibre™

Highly durable viscose enriched Crib 5 mattress fabric for contract FR performance. Featuring Eco-Award Winning Advance e-Fibre™.

Sustainable e-Fibre™ comfort layers help to create a temperature controlled sleeping environment.

Walnut finish feet.

Featuring sustainably sourced, recyclable materials helping to reduce landfill waste.

Five year manufacturing guarantee on the timber frame and two year manufacturing guarantee on the folding mechanism, mattress, all cushions and other upholstered parts.

Sofa Specification

Seat depth	51cm
Seat height	48cm
Width between arms	129cm
Sofa bed weight	70kg

Mattress Specification

Type	Micro e-Pocket
Size	H9 x W120 x L183cm

Packed Size & Weights

Packed size	Pack 1: L90 x W178 x H78cm
Packed weight	75kg

*Metric sizes are not exact equivalents. There can be a tolerance of +/- 2cm with all quoted measurements.

Certifications

Tested and certified by UKAS accredited testing houses.

Sofa:

BS 7176 – Medium Hazard, Source 5

Mattress:

BS7177 - Medium Hazard, Source 5

SOFA BEDS



Product	HARDWICK SNUGLER	HARDWICK TWO SEATER	HARDWICK THREE SEATER	HARDWICK LINKED FOUR SEATER	KINGSTON SNUGLER	KINGSTON TWO SEATER	KINGSTON THREE SEATER
Dimensions*	H85 x W132 x L98cm (to arms 57cm)	H85 x W170 x L98cm (to arms 57cm)	H85 x W198 x L98cm (to arms 57cm)	H85 x W232 x L98cm (to arms 57cm)	H84 x W105 x L102cm (to arms 62cm)	H84 x W146 x L102cm (to arms 62cm)	H84 x W170 x L102cm (to arms 62cm)
Sofa Weight	94kg	109kg	129kg	180kg	84kg	100kg	120kg
Frame	Steel & FSC Certified wood	Steel & FSC Certified wood	Steel & FSC Certified wood	Steel & FSC Certified wood	Steel & FSC Certified wood	Steel & FSC Certified wood	Steel & FSC Certified wood
Seat Depth*	60cm	60cm	60cm	60cm	58cm	58cm	58cm
Seat Height*	47cm	47cm	47cm	47cm	48cm	48cm	48cm
Distance between arms*	100cm	138cm	166cm	200cm	88cm	130cm	159cm
Foldout Mechanism	Rollout Mechanism	Rollout Mechanism	Rollout Mechanism	Rollout Mechanism	Rollout Mechanism	Rollout Mechanism	Rollout Mechanism
Open Bed Dimensions*	H55 x W132 x L215cm (to top of mattress)	H55 x W170 x L215cm (to top of mattress)	H55 x W198 x L215cm (to top of mattress)	H55 x W232 x L215cm (to top of mattress)	H55 x W105 x L219cm (to top of mattress)	H55 x W146 x L219cm (to top of mattress)	H55 x W170 x L219cm (to top of mattress)
Base Type	Sprung	Sprung	Sprung	Sprung	Sprung	Sprung	Sprung
Matress Type	Deep Sprung Core	Deep Sprung Core	Deep Sprung Core	Deep Sprung Core	Deep Sprung Core	Deep Sprung Core	Deep Sprung Core
Matress Dimensions*	H13 x W76 x L195cm	H13 x W120 x L195cm	H13 x W144 x L195cm	H13 x W76 x L195cm	H13 x W76 x L195cm	H13 x W120 x L195cm	H13 x W144 x L195cm
Matress Fabric	Polypropylene	Polypropylene	Polypropylene	Polypropylene	Polypropylene	Polypropylene	Polypropylene
Packed Size	Pack 1	L99 x W33 x H57cm	L99 x W33 x H57cm	L99 x W33 x H57cm	L102 x W190 x H62cm	L102 x W190 x H62cm	L102 x W190 x H62cm
	Pack 2	L131 x W71 x H40cm	L171 x W71 x H40cm	L196 x W71 x H40cm	L131 x W71 x H40cm (2 pcs)	L90 x W77 x H49cm	L131 x W77 x H49cm
	Pack 3	L103 x W91 x H55cm	L144 x W91 x H55cm	L170 x W91 x H55cm	L103 x W91 x H55cm (2 pcs)	L103 x W91 x H55cm	L144 x W91 x H55cm
Packed Weight	103kg	122kg	146kg	198kg	93kg	113kg	137kg

SOFA BEDS



Product	WOBURN SNUGGLER	WOBURN TWO SEATER	WOBURN THREE SEATER	JAZZ SNUGGLER	JAZZ TWO SEATER	JAZZ THREE SEATER	CUBE TWO SEATER	
Dimensions*	H87 x W153 x L100cm (to arms 82cm)	H87 x W188 x L100cm (to arms 82cm)	H87 x W220 x L100cm (to arms 82cm)	H81 x W129 x L100cm (to arms 63cm)	H81 x W170 x L100cm (to arms 63cm)	H81 x W196 x L100cm (to arms 63cm)	H91 x W165 x L85cm (to arms 60cm)	
Sofa Weight	99kg	115kg	135kg	104kg	123kg	149kg	70kg	
Frame	Steel & FSC Certified wood	Steel & FSC Certified wood	Steel & FSC Certified wood	Steel & FSC Certified wood	Steel & FSC Certified wood	Steel & FSC Certified wood	Steel & FSC Certified wood	
Seat Depth*	62cm	62cm	62cm	58cm	58cm	58cm	51cm	
Seat Height*	47cm	47cm	47cm	49cm	49cm	49cm	48cm	
Distance between arms*	94cm	128cm	160cm	99cm	140cm	165cm	129cm	
Foldout Mechanism	Rollout Mechanism	Rollout Mechanism	Rollout Mechanism	Rollout Mechanism	Rollout Mechanism	Rollout Mechanism	3 Fold	
Open Bed Dimensions*	H55 x W153 x L215cm (to top of mattress)	H55 x W188 x L215cm (to top of mattress)	H55 x W220 x L215cm (to top of mattress)	H55 x W129 x L215cm (to top of mattress)	H55 x W170 x L215cm (to top of mattress)	H55 x W196 x L215cm (to top of mattress)	H50 x W165 x L225cm (to top of mattress)	
Base Type	Sprung	Sprung	Sprung	Sprung	Sprung	Sprung	Sprung	
Matress Type	Deep Sprung Core	Deep Sprung Core	Deep Sprung Core	Deep Sprung Core	Deep Sprung Core	Deep Sprung Core	Micro e-Pocket	
Matress Dimensions*	H13 x W76 x L195cm	H13 x W120 x L195cm	H13 x W144 x L195cm	H13 x W76 x L195cm	H13 x W120 x L195cm	H13 x W144 x L195cm	H9 x W120 x L183cm	
Matress Fabric	Polypropylene	Polypropylene	Polypropylene	Polypropylene	Polypropylene	Polypropylene	100% Soft Knitted Polyester	
Packed Size	Pack 1	L100 x W52 x H84cm	L100 x W52 x H84cm	L100 x W52 x H84cm	L104 x W60 x H34cm	L104 x W60 x H34cm	L104 x W60 x H34cm	L90 x W178 x H78cm
	Pack 2	L106 x W65 x H49cm	L147 x W65 x H49cm	L173 x W65 x H49cm	L109 x W70 x H43cm	L150 x W70 x H43cm	L175 x W70 x H43cm	-
	Pack 3	L103 x W91 x H55cm	L144 x W91 x H55cm	L170 x W91 x H55cm	L103 x W91 x H55cm	L144 x W91 x H55cm	L170 x W91 x H55cm	-
Packed Weight	108kg	128kg	152kg	113kg	136kg	166kg	75kg	



BY APPOINTMENT TO
HER MAJESTY THE QUEEN
BEDDING AND UPHOLSTERY
MANUFACTURERS
HYPNOS LIMITED ENGLAND

HYPNOS®

THE MOST COMFORTABLE BEDS IN THE WORLD

+44 (0) 1332 497111 | info@hypnoscontractbeds.com | hypnoscontractbeds.com

Hypnos Contract Beds Limited, Station Road, Castle Donington, Derby DE74 2NU England

 [@hypnosbeds](https://twitter.com/hypnosbeds)  [Hypnos Contract Beds](https://www.linkedin.com/company/hypnos-contract-beds)  [Hotel Hypnos](https://www.instagram.com/hotelhypnos)

 **recycle** When you have finished with this brochure please recycle it.